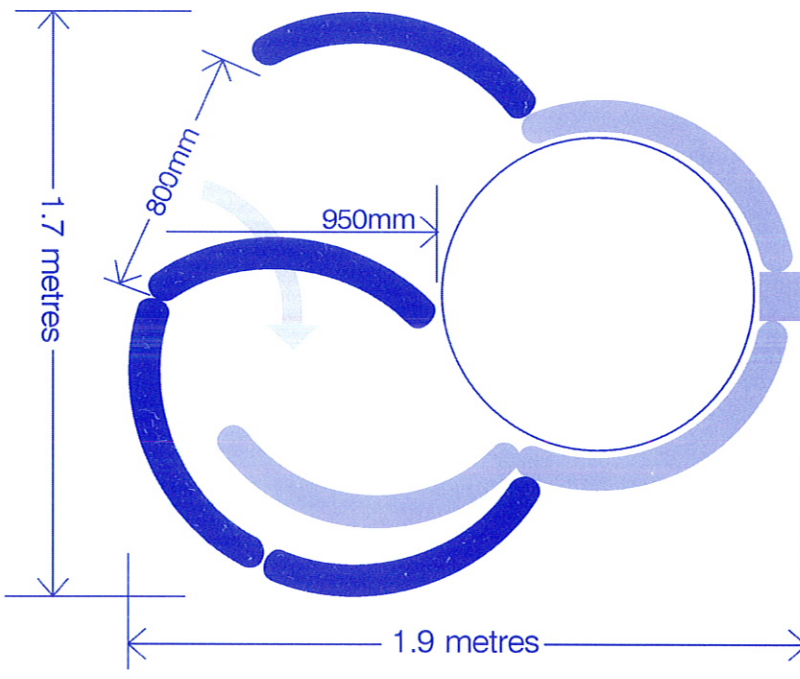




creating the ideal environment for your

# Gardasun Cubicle



- Gardasun 8000
- Gardasun Cubical

Plan View of Gardasun 7000/8000 with Changing Cubicle.  
N.B. Minimum height required 2.3 metres

MEMBER OF  
THE  
**SUNBED**  
ASSOCIATION  
VOICE OF THE INDUSTRY

sunsational  
**helionova**  
of Norwich

hyperion house • alston road • hellesdon hall  
industrial estate • norwich • norfolk • nr6 5ds  
tel:(01603)789010 fax:(01603)789453  
[www.helionova.co.uk](http://www.helionova.co.uk) e-mail: [sales@helionova.co.uk](mailto:sales@helionova.co.uk)